

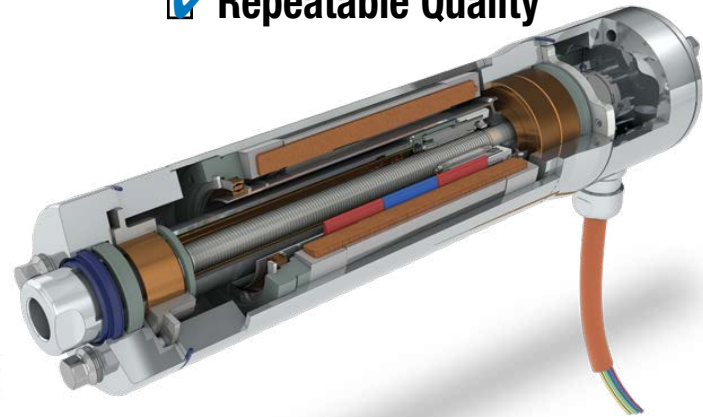
OEM ACTUATOR SOLUTIONS

Engineers trust Tolomatic

✓ Massive Toolbox of Actuators



✓ Repeatable Quality



✓ Engineering Collaboration



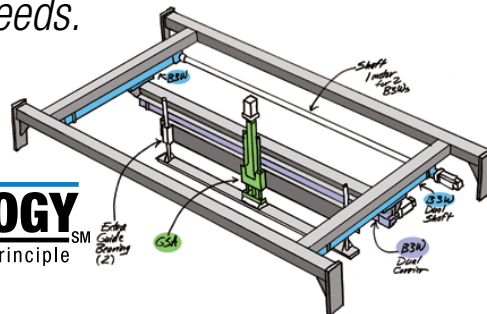
✓ Form Factor



OEM Engineers Trust Tolomatic

Your reputation as an engineer, your products' success and the image of your company rely on putting the right components in your system. Tolomatic will work with you through the product development process to create the best solution for your application. We will then build actuators to support your build forecast with high quality & reliability to insure your new product succeeds.

Concept



ENDURANCE TECHNOLOGYSM

A Tolomatic Design Principle

ENGINEERING STEPS:	TOLOMATIC'S VALUE ADD:
<p>Concept Design:</p>	<ul style="list-style-type: none"> • On-line Sizing Software • Broad Configurable Product Catalog • Application Engineering Collaboration • Possible Product Modifications
<p>3-D Final Layout:</p>	<ul style="list-style-type: none"> • YMH (Your Motor Here) • On-line CAD Files
<p>Prototype Testing:</p>	<ul style="list-style-type: none"> • Tolomatic Lab • Field Prototypes • Iterative Design
<p>Manufacturing:</p>	<ul style="list-style-type: none"> • Speed of Delivery • High Quality • High Duty Cycle/Critical Motion



CONTACT AN ENGINEER



ACTUATOR SIZING



3D CAD
CAD LIBRARY



YOUR MOTOR HERE[®]

ON-LINE TOOLS AVAILABLE

Flexible Designs



Decades of Design Experience at Your Service

Design with Tolomatic

We offer 3 different levels of design options to find the right fit for your new OEM product. Work directly with our engineering team to see options and evaluate pro's and con's.



Level 1 Designs:

- Standard product and standard options
- On-line Sizing Software
- Testing 1st article (Alpha/Beta) machine assembly (proof of concept unit)
- Your Motor Here Flexibility
- 3-D on-line CAD files Available

Can't find what you need for this design...?

Level 2 Designs:

- Modifying standard products or non-catalog options
- Engineering discussions with Tolomatic
- Factory provided quotes & pricing
- Lab testing on actuator performance (component only)
- Factory provided drawings

STILL can't find what you need for this design...?

Level 3 Designs:

- Custom designs (white sheet of paper)
- Design engineering and development costs may apply
- Only done for larger volumes
- Factory acceptance testing of actuator

Contact Tolomatic to Start Designing Your Solution

The Tolomatic Difference Expect More From the Industry Leader:



INNOVATIVE PRODUCTS

Unique linear actuator solutions with Endurance TechnologySM to solve your challenging application requirements.



FAST DELIVERY

The fastest delivery of catalog products... Built-to-order with configurable stroke lengths and flexible mounting options.



ACTUATOR SIZING

Online sizing that is easy to use, accurate and always up-to-date. Find a Tolomatic electric actuator to meet your requirements.



YOUR MOTOR HERE

Match your motor with compatible mounting plates that ship with any Tolomatic electric actuator.



LIBRARY

Easy to access CAD files available in the most popular formats to place directly into your assembly.



TECHNICAL SUPPORT

Extensive motion control knowledge: Expect prompt, courteous replies to any application and product questions from Tolomatic's industry experts.

Tolomatic Product Lines:

Electric Products

Rod & Guided Rod Style Actuators, High Force Actuators, Screw & Belt Drive Rodless Actuators, Motors, Drives and Controllers

"Foldout" Brochure #9900-9074



Pneumatic Products

Rodless Cylinders: Band Cylinders, Cable Cylinders, Magnetically Coupled Cylinders/Slides; Guided Rod Cylinder Slides

"Foldout" Brochure #9900-9075



Power Transmission Products

Gearboxes: Float-A-Shaft[®], Slide-Rite[®]; Caliper Disc Brakes; Planetary Roller Screws

"Foldout" Brochure #9900-9076

TolomaticTM

EXCELLENCE *IN MOTION*

COMPANY WITH
QUALITY SYSTEM
CERTIFIED BY DNV GL
= ISO 9001 =
Certified site: Hamel, MN

USA

Tolomatic Inc.

3800 County Road 116
Hamel, MN 55340, USA

Phone: (763) 478-8000

Fax: (763) 478-8080

Toll-Free: **1-800-328-2174**

sales@tolomatic.com

www.tolomatic.com

CHINA

Tolomatic Automation Products (Suzhou) Co. Ltd.

(ServoWeld[®] inquiries only)

No. 60 Chuangye Street, Building 2
Huqiu District, SND Suzhou
Jiangsu 215011 - P.R. China

Phone: +86 (512) 6750-8506

Fax: +86 (512) 6750-8507

ServoWeldChina@tolomatic.com

EUROPE

Tolomatic Europe GmbH

Elisabethenstr. 20
65428 Rüsselsheim
Germany

Phone: +49 6142 17604-0

help@tolomatic.eu

All brand and product names are trademarks or registered trademarks of their respective owners. Information in this document is believed accurate at time of printing. However, Tolomatic assumes no responsibility for its use or for any errors

that may appear in this document. Tolomatic reserves the right to change the design or operation of the equipment described herein and any associated motion products without notice. Information in this document is subject to change without notice.

Visit www.tolomatic.com for the most up-to-date technical information